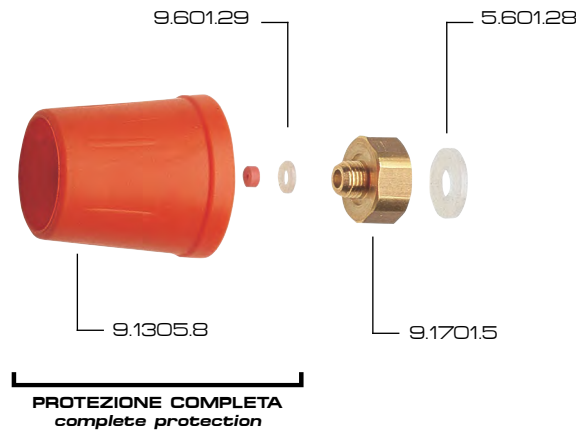




PROTEZIONE "TURBO" / "TURBO" PROTECTION




◀ PAGE 25/25

FORO mm	PRESTAZIONI	PRESSIONE					
		15 bar		30 bar		50 bar	
		cono	spillo	cono	spillo	cono	spillo
Ø 1.0	portata l/min	1.8	2.3	2.6	3.2	3.4	4.1
	angolo di spruzzo	30°	-	35°	-	40°	-
	gittata max. m.	2.1	5.0	2.4	5.6	2.8	6.3
Ø 1.2	portata l/min	2.4	3.0	3.4	4.2	4.4	5.4
	angolo di spruzzo	35°	-	40°	-	45°	-
	gittata max. m.	2.3	5.8	2.7	6.1	3.1	6.8
Ø 1.5	portata l/min	3.4	4.5	4.8	6.4	6.2	8.3
	angolo di spruzzo	40°	-	45°	-	50°	-
	gittata max. m.	2.6	6.6	3.0	7.0	3.5	7.7
Ø 1.8	portata l/min	3.9	6.9	5.5	9.8	7.1	12.7
	angolo di spruzzo	50°	-	55°	-	60°	-
	gittata max. m.	2.9	7.0	3.3	7.5	4.0	8.3
Ø 2.0	portata l/min	4.5	8.3	6.3	11.7	8.1	15.1
	angolo di spruzzo	55°	-	60°	-	65°	-
	gittata max. m.	3.1	7.5	3.5	8.0	4.5	8.9
Ø 2.3	portata l/min	5.3	11.4	7.5	16.1	9.7	20.8
	angolo di spruzzo	60°	-	65°	-	75°	-
	gittata max. m.	3.4	8.0	4.0	8.5	4.8	9.3

HOLE DIA. mm	PERFORMANCES	PRESSURE					
		200 psi		450 psi		700 psi	
		cone	straight	cone	straight	cone	straight
Ø 1.0	capacity US/GPM	0.44	0.56	0.71	0.87	0.87	1.05
	spray angle	30°	-	35°	-	40°	-
	max. throw ft.	6.3	15.1	8.1	19.0	8.9	20.0
Ø 1.2	capacity US/GPM	0.58	0.73	0.93	1.15	1.12	1.38
	spray angle	35°	-	40°	-	45°	-
	max. throw ft.	6.9	17.5	9.2	20.7	9.8	21.5
Ø 1.5	capacity US/GPM	0.83	1.10	1.31	1.78	1.59	2.12
	spray angle	40°	-	45°	-	50°	-
	max. throw ft.	7.8	20.0	10.2	23.8	11.1	24.4
Ø 1.8	capacity US/GPM	0.95	1.68	1.50	2.68	1.81	3.24
	spray angle	50°	-	55°	-	60°	-
	max. throw ft.	8.7	21.2	11.2	25.5	12.6	26.3
Ø 2.0	capacity US/GPM	1.10	2.02	1.72	3.20	2.07	3.85
	spray angle	55°	-	60°	-	65°	-
	max. throw ft.	9.4	22.6	11.9	27.2	14.3	28.2
Ø 2.3	capacity US/GPM	1.29	2.77	2.05	4.40	2.47	5.31
	spray angle	60°	-	65°	-	75°	-
	max. throw ft.	10.3	24.1	13.6	28.9	15.3	29.5

COME SI ORDINA / HOW TO ORDER

PROTEZIONE COMPLETA complete protection	Ø	SOLO PROTEZIONE protection only	SOLO UGELLO spray tip only	Ø	SOLO GUARNIZIONE gasket only	
9.1312.2	1.0	9.1305.8	9.801.12	1.0	9.601.29	10
9.1312.3	1.2		9.801.13	1.2		
9.1312.1	1.5		9.801.14	1.5		
9.1312.4	1.8		9.801.15	1.8		
9.1312.5	2.0		9.801.16	2.0		
9.1312.6	2.3		9.801.17	2.3		



LANCE
SPRAY GUNS



CATALOGHI
CATALOGUES



IMMAGINI
HI-RES PICTURES